



Highlight Information

- Windows Embedded CE 6.0
- Integrated with InduSoft Web Studio
- IIS, ASP.NET, .NET Framework 3.5
- VS.NET 2003/2005/2008 and EVC++ Supported
- Support DCON/Modbus/OPC/DDE Protocol
- Host the application using Web Browser (Internet Explorer).
- Supports third-party SQL relational databases
- AMD LX 800 CPU (32-bit and 500 MHz)
- 512 MB DDR SDRAM, 4 GB Flash, 1 GB CF Card
- Dual Ethernet Ports and Multi Serial Ports
- Dual Watchdog Timers
- Operating temperature: -25 °C ~ +75 °C



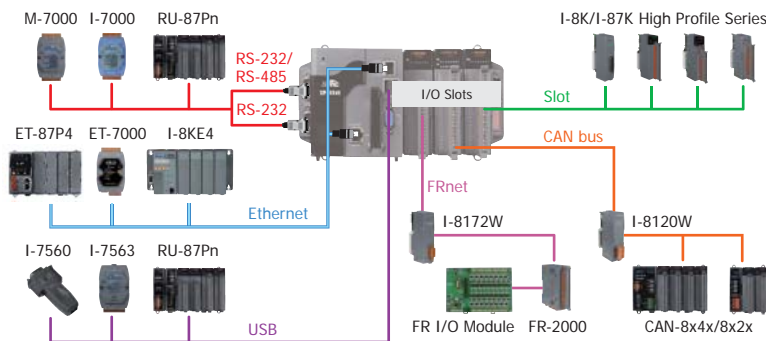
Introduction

XP-8x49-CE6 Series (XP-8049-CE6/8349-CE6/8749-CE6 & XP-8049-CE6-PRO/8349-CE6-PRO/8749-CE6-PRO) is the new generation WinCE based InduSoft PAC (Programmable Automation Controller) of ICP DAS. It is equipped an AMD LX 800 CPU (500 MHz) running a Windows Embedded CE 6.0 Operating System, various connectivity (VGA, USB, Ethernet, RS-232, RS-485) and 3/7 slots for high performance Parallel type I/O modules (High Profile I-8K series) and Serial-type I/O modules (Hot-Swap High Profile I-87K I/O modules). Memories come with 4 GB Flash as IDE Master, 512 MB DDR SDRAM, 512 KB dual battery backup SRAM, 1 GB Compact Flash Card. For redundant supporting: dual Watchdog Timers, redundant power inputs, dual battery backup SRAM, dual Ethernet Ports.

InduSoft Web Studio is a powerful, integrated collection of automation tools that includes all the building blocks required to develop modern Human Machine Interfaces (HMI), and Supervisory Control and Data Acquisition System (SCADA) applications that run native on Windows NT, 2000, XP, CE and CE.NET or in an Internet and Intranet environment. A simple drag-and-drop, point-and-click development environment lets you mimic the most complex behavior of your live processes. InduSoft Web Studio is the ideal E-Automation solution in the industry.

Applications

Rich I/O Expansion Ability



Features

Software

- Windows Embedded CE 6.0
- FTP Server, Web Server, ASP
- SQL Compact Edition 3.5
- .NET Framework 3.5
- Runtime InduSoft Web Studio v6.1
 - DCON Bundled Driver Provided
 - Support OPC/Modbus/OPC/DDE Protocol
 - Support Third-party SQL relational database
- Remote Display
- DCON Utility (with DCON_CE.exe run on the device)
- Built-in OPC Server

Hardware

- Powerful CPU Module
 - AMD LX 800 CPU (32-bit and 500 MHz)
- Rich Memories
 - DDR SDRAM (512 MB), Built-in Flash Disk (4 GB)
 - EEPROM (16KB), Compact Flash Card (1 GB)
 - Dual Battery Backup SRAM (512 KB)
- VGA Port x 1, USB 2.0 Ports x 2
- 64-bit Hardware Serial Number
 - Unique to Avoid Software Pirating
- Powerful CPU Module
- 4/5 Serial Ports (RS-232/RS-485)
- Dual Ethernet Ports (10/100M)
- Redundant Power Inputs
- Operating Temperature: -25 ~ +75 °C

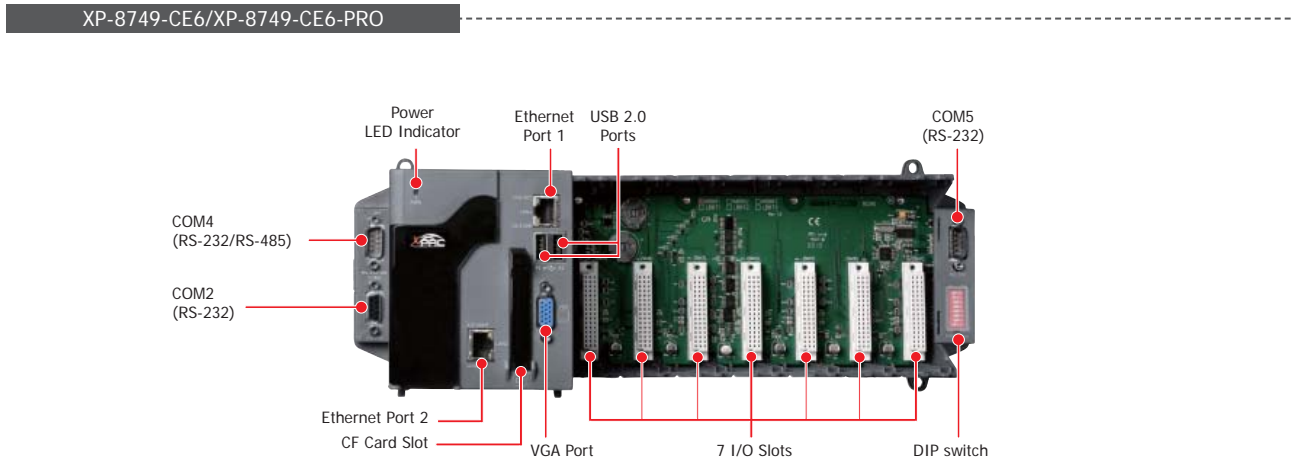
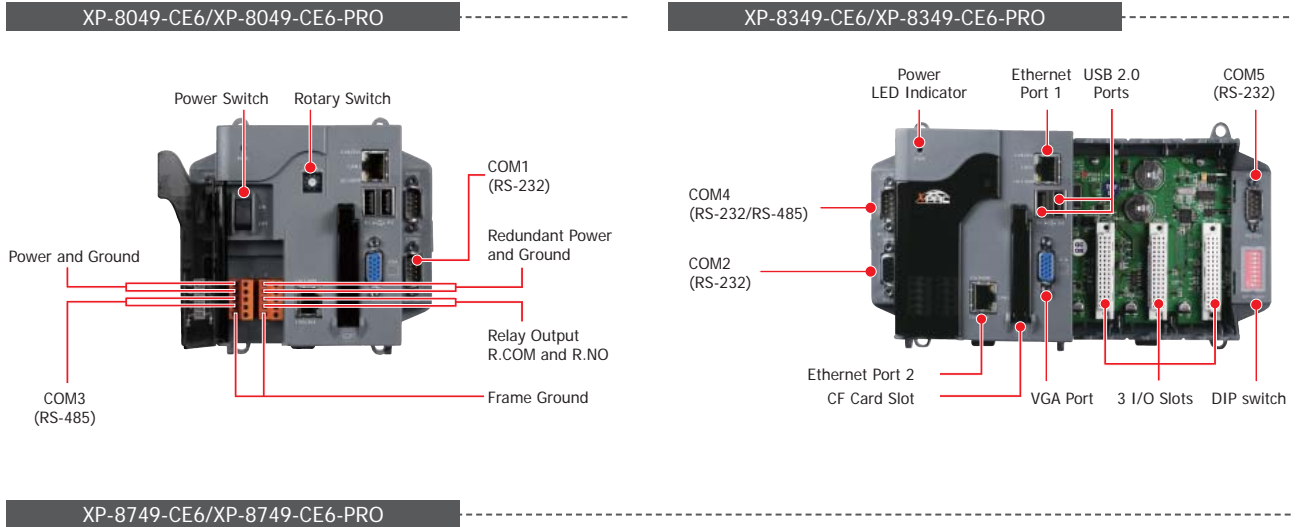
Specifications

Models	XP-8049-CE6	XP-8349-CE6	XP-8749-CE6
	XP-8049-CE6-PRO	XP-8349-CE6-PRO	XP-8749-CE6-PRO
System Software			
OS	Windows CE 6.0		
.Net Compact Framework	3.5		
Embedded Service	FTP server, Web server (supports VB script, JAVA script), Embedded SQL server		
Development Software			
InduSoft Software	InduSoft Web Studio v6.1 Service Pack 6		
Non-ISA GRAF	Options: Microsoft EVC+ +4.0 or VS .NET 2003/2005/2008 (VB .NET 2003/2005/2008, C# .NET 2003/2005/2008)		
Web Service			
Web HMI	Support Web HMI function, PC running Internet Explorer can access to the WP-8x39 via Local Ethernet or Internet or dial Modem, monitoring and control.		
Security	Web HMI supports three levels user name and password protection		
CPU Module			
CPU	AMD LX 800 processor		
System Memory	512 MB DDR SDRAM		
Dual Battery Backup SRAM	512 KB (for 5 years data retention)		
Flash	4 GB as IDE Master		
EEPROM	16 KB Data Retention: 40 years; 1,000,000 erase/write cycles		
CF Card	1 GB (support up to 32 GB)		
64-bit Hardware Serial Number	Yes		
Dual Watchdog Timers	Yes		
Rotary Switch	Yes (0 ~ 9)		
DIP Switch	-	Yes (8 bits)	
VGA & Communication Ports			
VGA	Yes, (resolution: 640 x 480 ~ 1024 x 768 or above)		
Ethernet	RJ-45 x 2, 10/100 Base-TX (Auto-negotiating, Auto MDI/MDI-X, LED indicators)		
USB 2.0	2		
COM 1	RS-232 (Rx/D, Tx/D and GND); non-isolated	Internal communication with the high profile I-87K series modules in slots	
COM 2	RS-232 (Rx/D, Tx/D and GND); non-isolated		
COM 3	RS-485	D2+, D2-; self-tuner ASIC inside	
	Isolation	3000 Vdc	
COM 4	RS-232/RS-485 (Rx/D, Tx/D, CTS, RTS and GND for RS-232, Data+ and Data- for RS-485); non-isolated		
COM 5	RS-232 (Rx/D, Tx/D, CTS, RTS, DSR, DTR, CD, RI and GND); non-isolated		
I/O Expansion Slots			
Slot Number	0	3	7
Hot Swap * Will be available	-	For High Profile I-87K Modules Only	
Mechanical			
Dimensions (W x L x H)	137 mm x 132 mm x 111 mm	231 mm x 132 mm x 111 mm	355 mm x 132 mm x 111 mm
Installation	DIN-Rail or Wall Mounting		
Environmental			
Operating Temperature	-25 ~ +75 °C		
Storage Temperature	-30 ~ +80 °C		
Ambient Relative Humidity	10 ~ 90% RH (non-condensing)		
Power			
Input Range	+10 ~ +30 Vdc		
Isolation	1 kV		
Redundant Power Inputs	Yes, with one power relay (1 A @ 24 Vdc) for alarm		
Capacity	1.8 A, 5 V supply to CPU and backplane, 15 W in total	1.8 A, 5 V supply to CPU and backplane, 5.2 A, 5 V supply to I/O expansion slots, 35 W in total	2.0 A, 5 V supply to CPU and backplane, 5.0 A, 5 V supply to I/O expansion slots, 35 W in total
Consumption	14.4 W (0.6 A @ 24 Vdc)	14.4 W (0.6 A @ 24 Vdc)	16.8 W (0.7 A @ 24 Vdc)

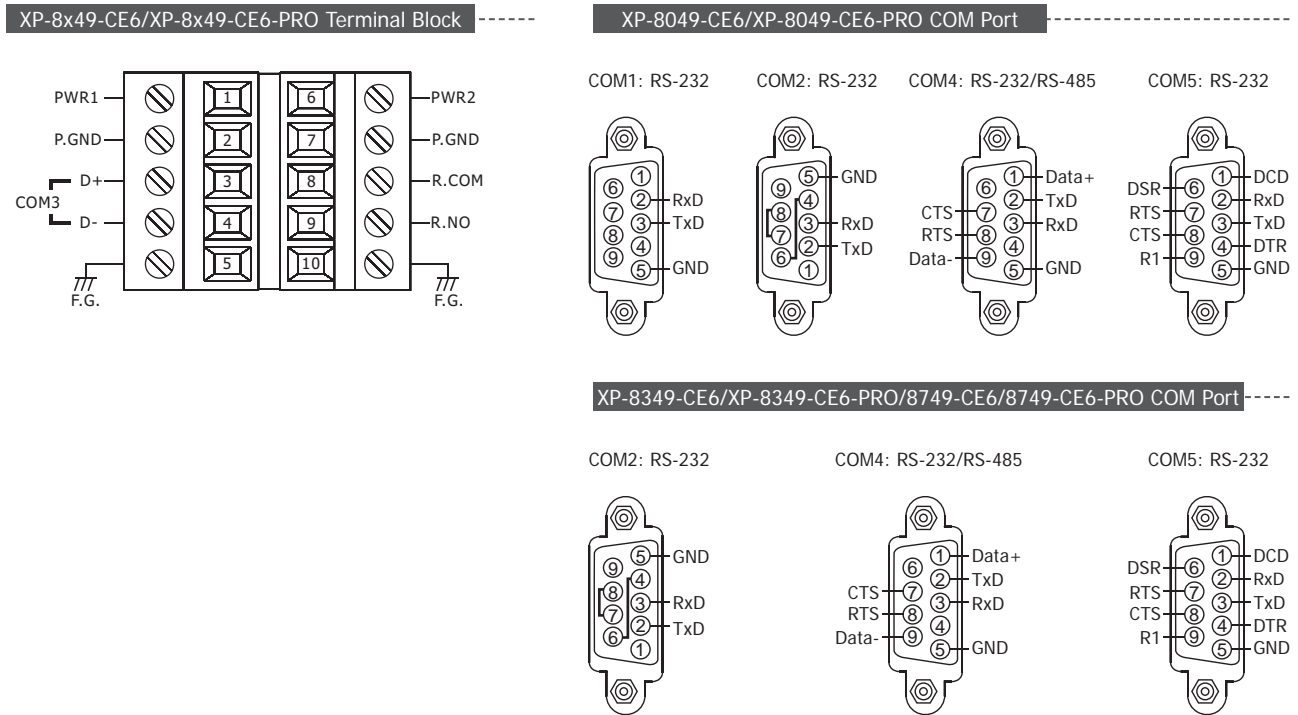
InduSoft Features

- Elegant Graphics
- Multi-Language
- Database (Access, Excel, SQL, Oracle...)
- Recipes and Reports
- Online and History Alarm / Event / Trend
- Various Communication Driver (DCON, Modbus, OPC, DDE, TCP/IP...)
- Remote Web Client Control & Security
- ActiveX (GSM / SHM / COM /WEB provided by ICP DAS)
- System Redundancy
- Online Configuration and debugging
- Others (VBScript, E-mail, FTP, SNMP...)

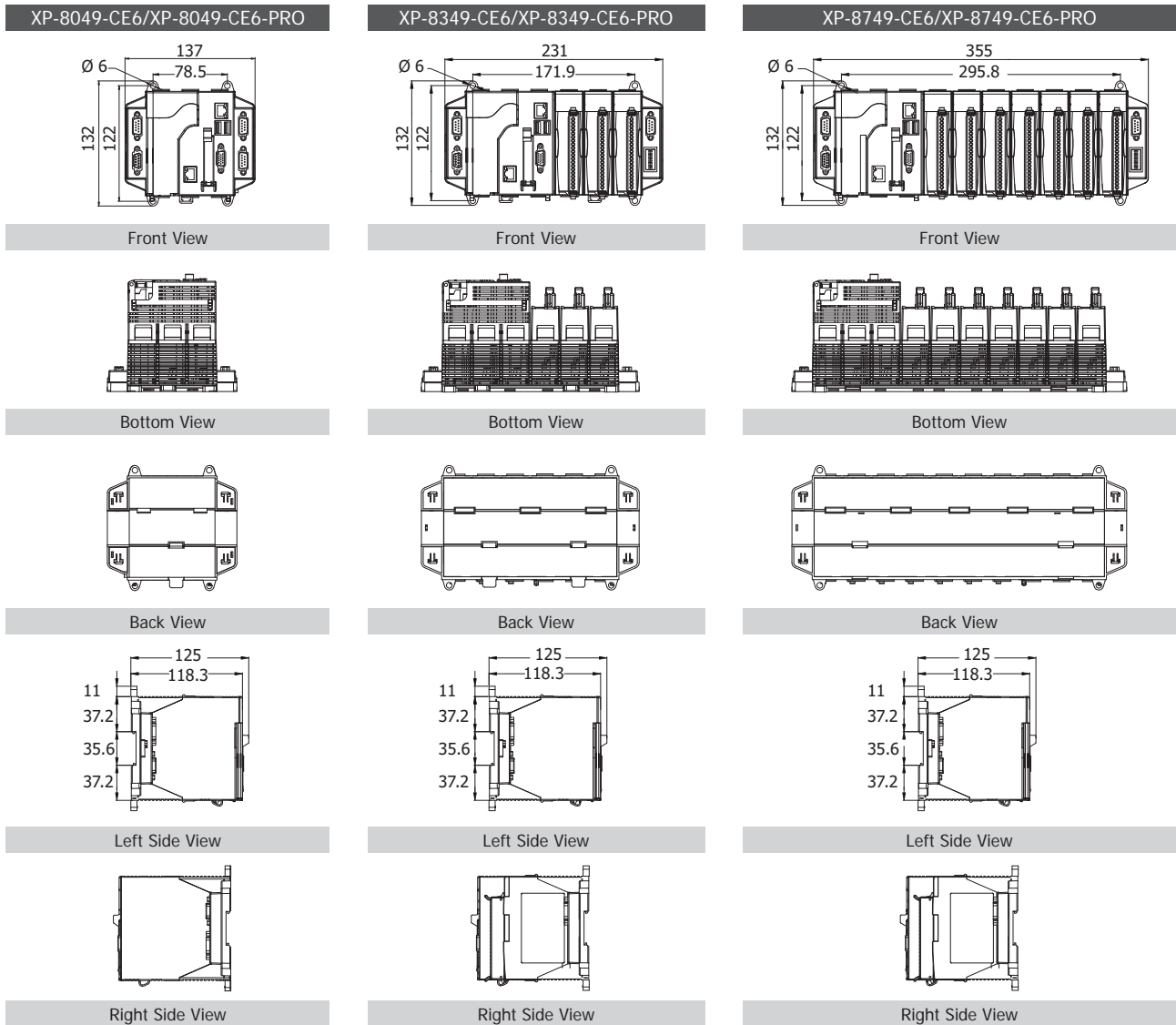
Appearance



Pin Assignments



Dimensions (Unit: mm)



Ordering Information

XP-8049-CE6 CR	0 I/O slot WinCE 6.0 Based InduSoft PAC (OS: Multi-Language version) (RoHS)
XP-8349-CE6 CR	3 I/O slots WinCE 6.0 Based InduSoft PAC (OS: Multi-Language version) (RoHS)
XP-8749-CE6 CR	7 I/O slots WinCE 6.0 Based InduSoft PAC (OS: Multi-Language version) (RoHS)
XP-8049-CE6-PRO CR	0 I/O slot WinCE 6.0 Based InduSoft PAC (OS: Professional Multi-Language version) (RoHS)
XP-8349-CE6-PRO CR	3 I/O slots WinCE 6.0 Based InduSoft PAC (OS: Professional Multi-Language version) (RoHS)
XP-8749-CE6-PRO CR	7 I/O slots WinCE 6.0 Based InduSoft PAC (OS: Professional Multi-Language version) (RoHS)
Note: The default runtime license (CEView Lite Plus - 300 tags and 3 driver) is installed.	

Accessories

InduSoft Development Software	
InduSoft-NT512000D	Advanced Server for Windows NT/2000/XP (512,000 Tags, unlimited drivers)
InduSoft-NT64000D	Control Room for Windows NT/2000/XP (64,000 Tags, 8 drivers)
InduSoft-NT4000D	Operator Workstation for Windows NT/2000/XP (4,000 Tags, 5 drivers)
InduSoft-NT1500D	Local Interface for Windows NT/2000/XP (1500 Tags, 3 drivers)
InduSoft-NT300D	NTView PRO for Windows NT/2000/XP (300 Tags, 3 drivers)
InduSoft Runtime License	
InduSoft-CE1500R	CEView standard for Windows CE Run-time (CE View)(1500 Tags, 3 drivers)
InduSoft-CE300R	CEView Lite Plus for Windows CE Run-time (300 Tags, 3 drivers)
Power Supply	
DP-660	24 Vdc/2.5 A, 60 W and 5 Vdc/0.5 A, 2.5 W Power Supply with DIN-Rail Mounting
DP-1200	24 Vdc/5.0 A, 120 W Power Supply with DIN-Rail Mounting
MDR-20-24	24 Vdc/1.0 A, 24 W Power Supply with DIN-Rail Mounting
MDR-60-24	24 Vdc/2.5 A, 60 W Power Supply with DIN-Rail Mounting