



SG-3383

1-channel Current Input to 3-channel Current Output

Introduction

The SG-3383 is a 1-channel current input to 3-channel current output signal conditioning module that provides 3000 VDC 3-way isolation for input, output and power, together with 8 kV ESD Protection as well as 3000 VDC intra-module isolation.

The SG-3383 includes an LED display that can be used to indicate whether the module is functioning correctly, and also includes VRs (Zero, Span) that can be used to calibrate the output range accuracy. The input bandwidth of the SG-3383 is typically 2.5 kHz.

The SG-3383 can be easily mounted on a standard DIN Rail and can operate in environments where there is a wide temperature range.

System Specifications

Model	SG-3383
LED Indicators/Display	
System LED Indicator	Yes, 1 as Power/Communication Indicator
I/O LED Indicators	-
7-segment LED Display	-
Isolation	
Intra-module Isolation, Field-to-Logic	3000 Vdc
EMS Protection	
ESD (IEC 61000-4-2)	±8 kV Contact for each Terminal
EFT (IEC 61000-4-4)	±4 kV for Power Line
Surge (IEC 61000-4-5)	-
Power	
Reverse Polarity Protection	Yes
Input Range	+10 ~ +30 VDC
Consumption	2.5 W
Mechanical	
Dimensions (L x W x H)	127 mm x 33 mm x 99 mm
Installation	DIN-Rail or Wall Mounting
Environment	
Operating Temperature	-25 to +75°C
Storage Temperature	-40 to +85°C
Humidity	10 to 95% RH, Non-condensing

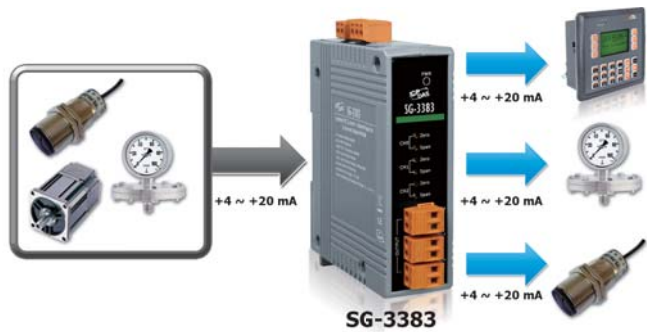
Features

- 1-channel Current Input to 3-channel Current Output
- 8 kV ESD Protection
- 3-way Isolation: 3000 VDC
- Flexible DIN-Rail Mounting
- Wide Operating Temperature Range: -25 to +75°C



Applications

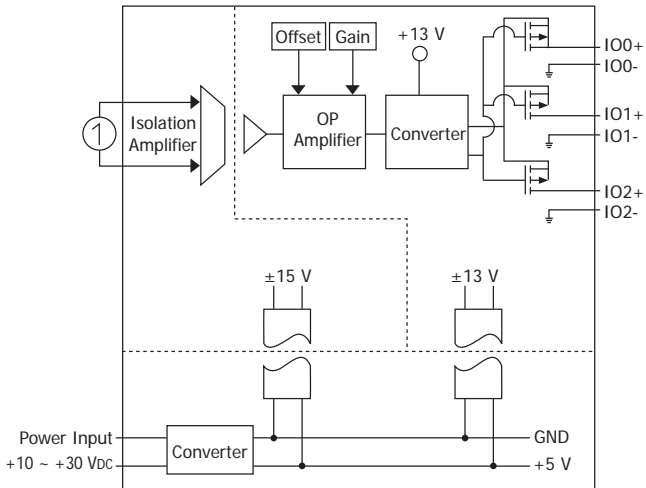
- Building Automation
- Machine Automation
- Remote Diagnosis
- Factory Automation
- Remote Maintenance
- Testing Equipment



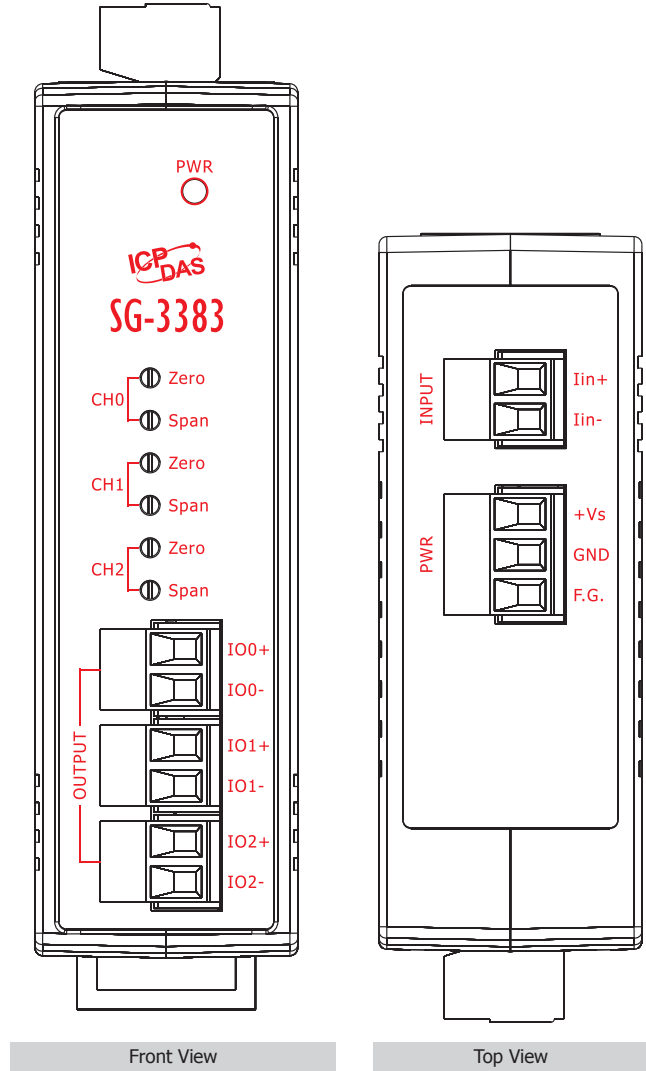
I/O Specifications

Model	SG-3383
Analog Input	
Channels	1
Range	+4 ~ +20 mA
Input Bandwidth	2.5 kHz
Input Impedance	125 Ω
Analog Output	
Channels	3
Current Output Wiring	Source
Range	+4 ~ +20 mA
Accuracy	±0.1% of FSR (typical)
Current Output Capacity	500 Ω

Internal I/O Structure

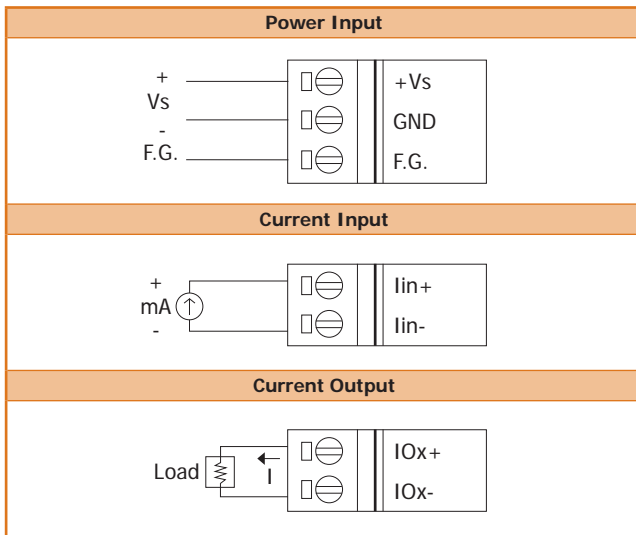


Pin Assignments

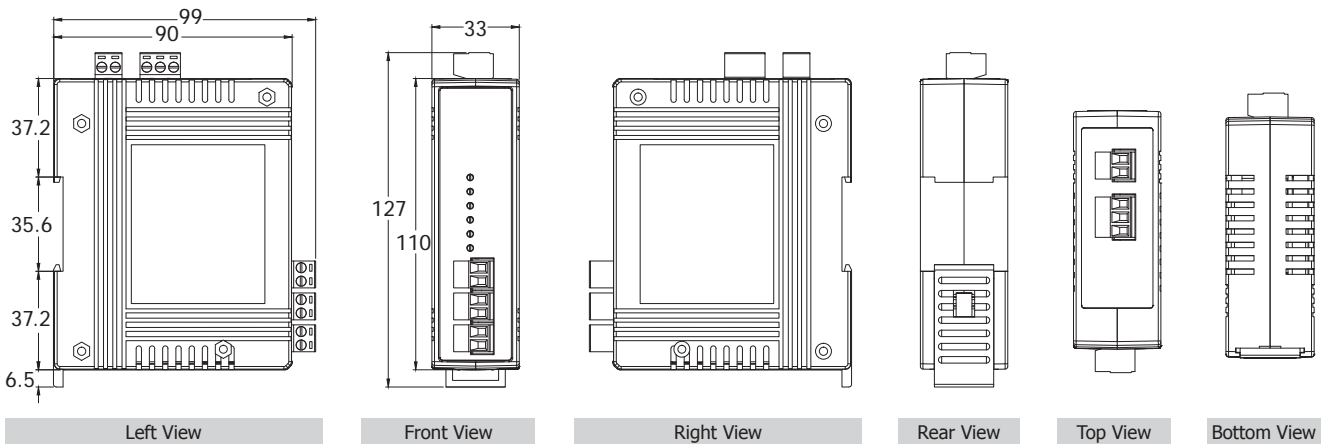


Signal Conditioning Modules

Wire Connections



Dimensions (Units: mm)



Ordering Information

SG-3383 CR	Isolated DC Current 1-channel Input to 3-channel Output Module (Gray Cover) (RoHS)
-------------------	--